

KOP2546(-S)-OHF
KOP2555(-S)-OHF



Smart City Kiosks

DESIGNED FOR 46" OR 55" **SAMSUNG** OHF DISPLAYS

Replace static signage with Peerless-AV's award-winning Smart City Kiosk, which allows you to seamlessly change digital content whenever, where ever. The Smart City Kiosk features a curved, modular design that seamlessly blends into any environment, and offers quick access to the display, for maintenance, without disturbing any adjacent units. Plus, installation is made easy without the need for cranes or forklifts, and a 10-point IR touch overlay makes the kiosk interactive for all users.



All Weather Rated



Operating Temperature Range:

-22°F to 122°F
(-30°C to 50°C)

- Samsung OHF Display not included
- Elegant, minimalistic design covers, protects and ventilates display and equipment
- Practical, modular design to maintain or replace display quickly
- No additional layer of glass needed between display and enclosure, creating glare
- Wind tested up to 140 mph
- Easily add-on additional technology components, such as IR touch overlays, cameras, routers, antennas and more, to make this a true Smart City Kiosk



OPTIONAL PLUG & PLAY 10-POINT IR TOUCH OVERLAY

Tested to IP56 standards to provide protection from water and dust, and works well with many input devices such as finger, glove or pointer

ULTRA SLIM DESIGN

Sleek and stylish, yet rugged enough to be installed in any application

IP RATED STORAGE AREA TESTED TO IP56

Protected with filters and cooling fans to hold components at their ambient operating temperature

Kiosk: **RoHS** 2012/19EC Display: **IP**

KOP2546(-S)-OHF	Smart City Kiosk, Designed for 46" Samsung OHF Display
KOP2555(-S)-OHF	Smart City Kiosk, Designed for 55" Samsung OHF Display

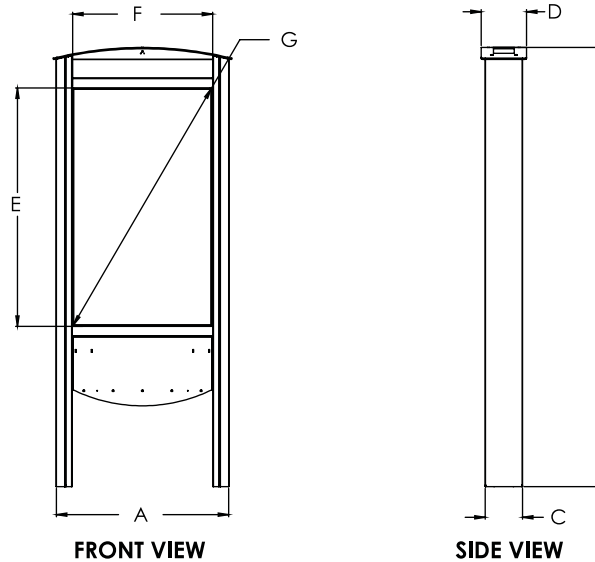
Product Specifications

	DIMENSIONS (W x H x D)	PRODUCT WEIGHT	FINISH	AVAILABLE COLORS
KOP2546(-S)-OHF	32.38" x 82.34" x 8.50" (822 x 2091 x 216mm)	140lb (63kg)	Smooth	Black or Silver
KOP2555(-S)-OHF	35.38" x 82.34" x 8.50" (898 x 2091 x 216mm)	150lb (68kg)		

Package Specifications

	PACKAGE SIZE (W x H x D)	PACKAGE SHIP WEIGHT	PACKAGE UPC CODE	PACKAGE CONTENTS	UNITS IN PACKAGE
KOP2546(-S)-OHF	48.00" x 90.00" x 40.00" (1219 x 2286 x 1016mm)	180lb (81kg)	KOP2546-OHF: 735029324232 KOP2546-S-OHF: 735029324249	Kiosk, Mounting Hardware and Instructions	1
KOP2555(-S)-OHF		190lb (86kg)	KOP2555-OHF: 735029324256 KOP2555-S-OHF: 735029324263		

All dimensions = **inch** (mm)



MODEL NO.	DIMENSION "A"	DIMENSION "B"	DIMENSION "C"	DIMENSION "D"	DIMENSION "E"	DIMENSION "F"	DIMENSION "G"
KOP2546-OHF	32.38" (822mm)	82.34" (2091mm)	7.00" (178mm)	8.50" (216mm)	42.08" (1069mm)	24.55" (623mm)	49.00" (1244mm)
KOP2555-OHF	35.38" (898mm)	82.34" (2091mm)	7.00" (178mm)	8.50" (216mm)	50.11" (1272mm)	29.06" (738mm)	55.00" (1397mm)

Architect Specifications

The Smart City Kiosk shall be a Peerless-AV® model KOP2546(-S)-OHF or KOP2555(-S)-OHF and shall be located where indicated on the plans. Assembly and installation shall be done according to instructions provided by the manufacturer.

Visit peerless-av.com to see the complete line of AV solutions from Peerless-AV, including outdoor displays, wireless, kiosks, digital audio, display mounts, projector mounts, carts/stands, and a full assortment of accessories.

Peerless-AV
2300 White Oak Circle
Aurora, IL 60502 USA

(800) 865-2112
(630) 375-5100
Fax: (800) 359-6500

Peerless-AV EMEA
Unit 3 Watford Interchange
Colonial Way, Watford
Herts, WD24 4WP
United Kingdom
+44 (0) 1923 200100
Fax: +44 (0) 1923 200101

Peerless-AV Latin America
Ave de las Industrias 413
Parque Industrial Escobedo
Escobedo, N.L.,
Mexico 66062
+52 (81) 8384-8300
Fax: +52 (81) 8384-8360

